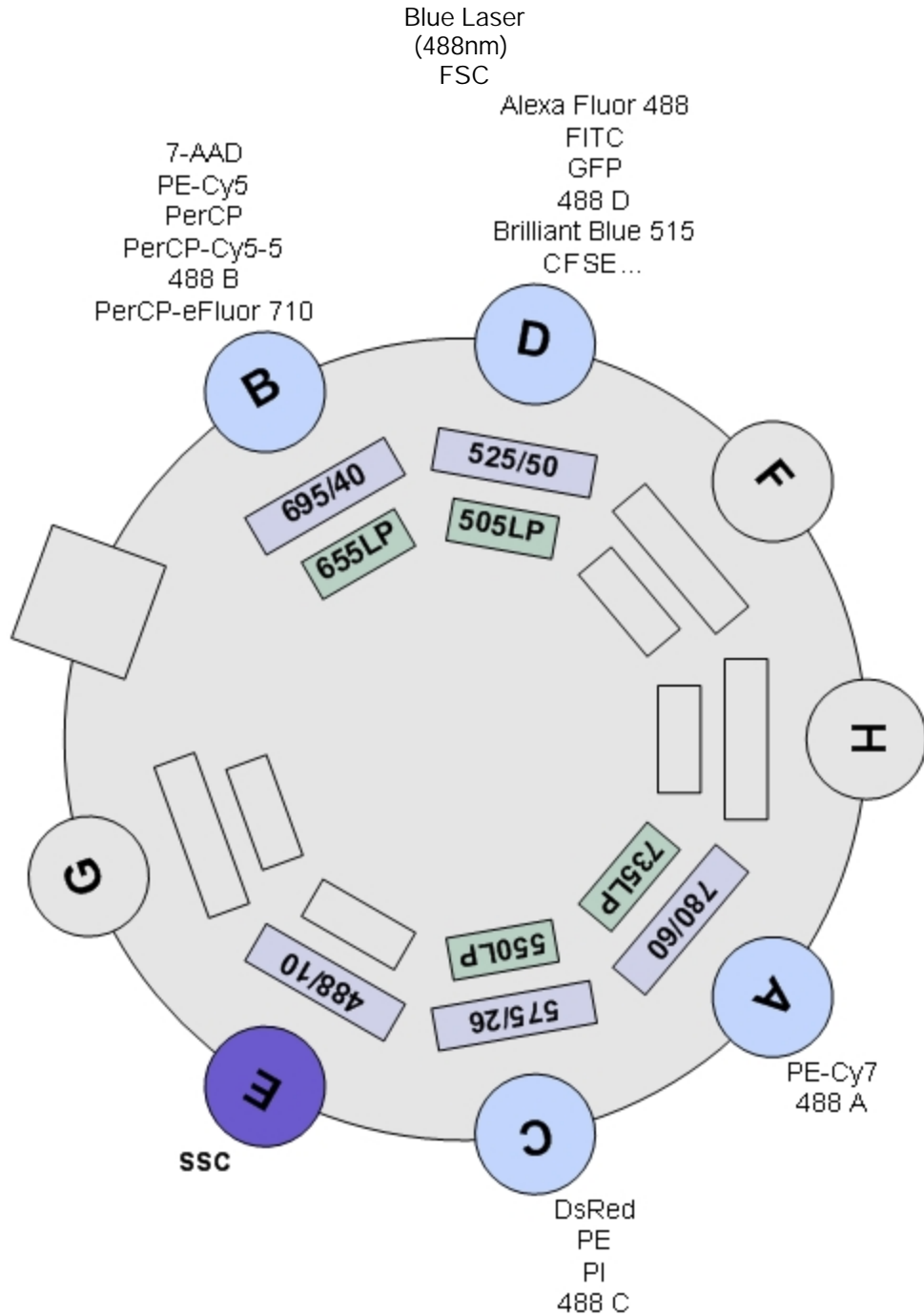
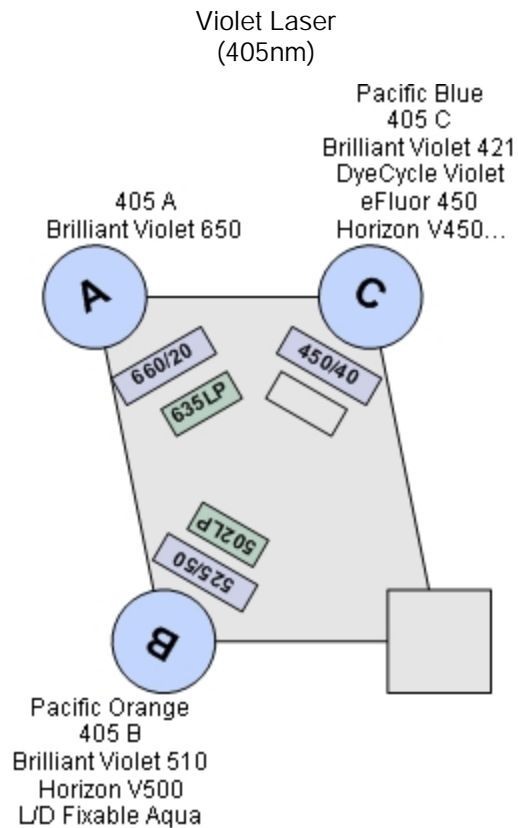
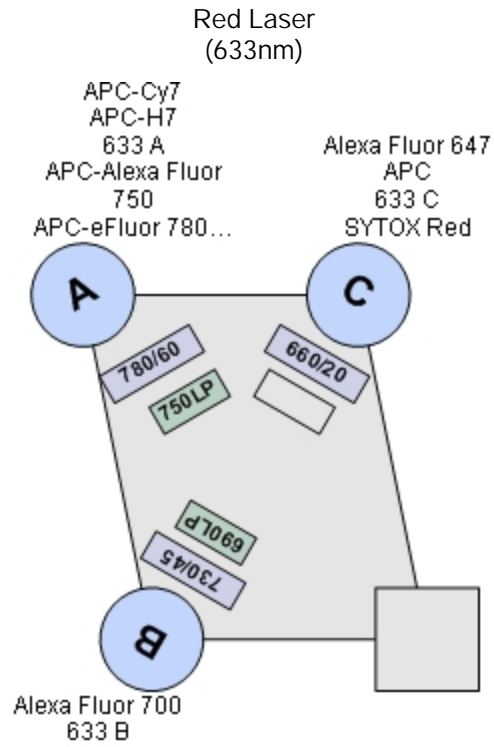


# Canto Standard Configuration

Cytometer:	FACSCanto	User:	corestaff
Cytometer Name:	FACSCanto	Institution:	N/A
Serial Number:	V07300428	Software:	BD FACSDiva 8.0.1
Input Device:	Manual	Date:	7/26/2018 2:07:12 PM
Window Extension:	7.00		





Comments: