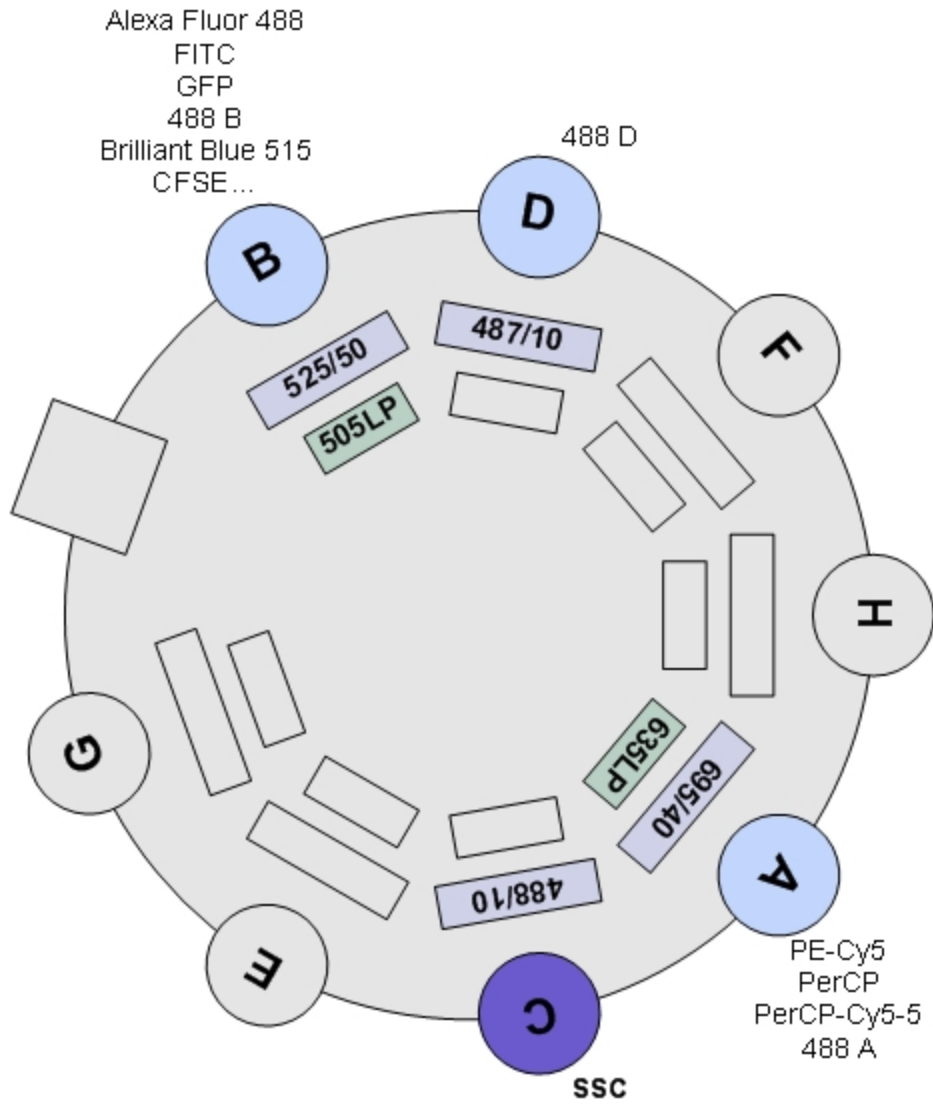
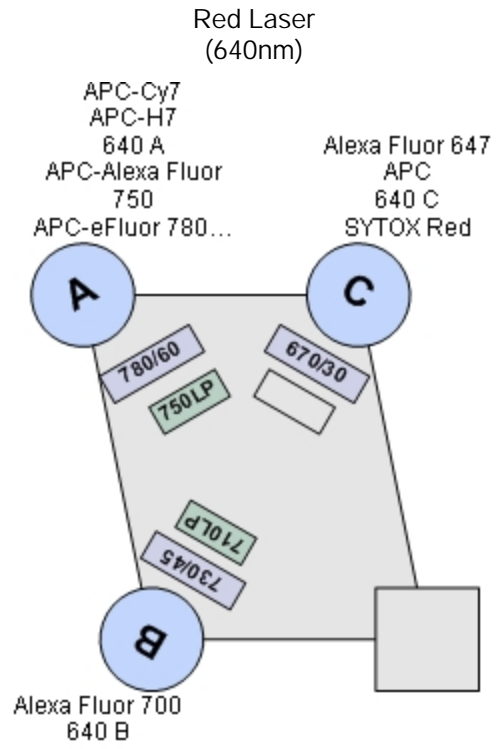


# Standard Configurations P0695

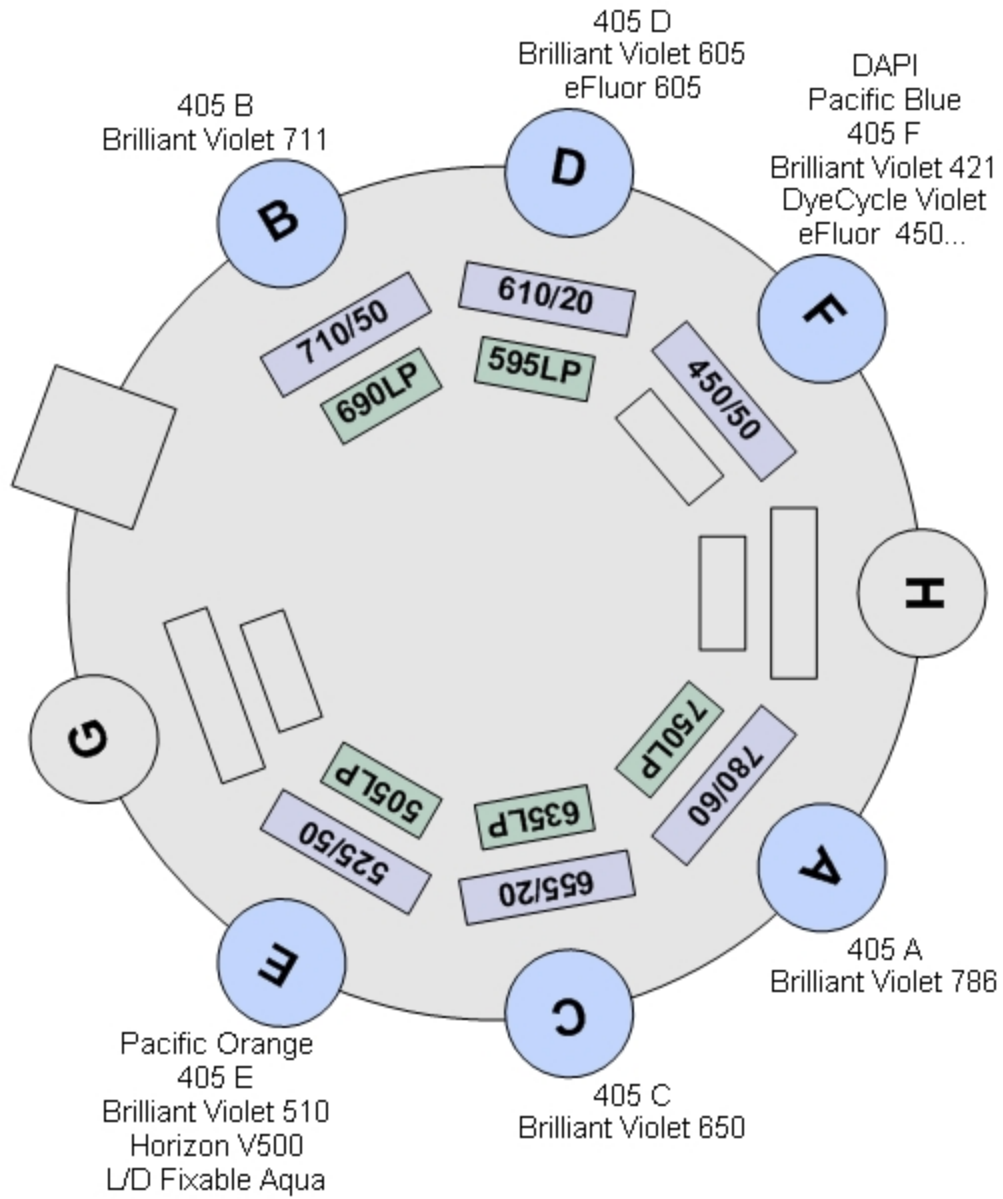
Cytometer:	FACSAriaII	User:	Administrator
Cytometer Name:	FACSAriaII	Institution:	N/A
Serial Number:	P69500132	Software:	BD FACSDiva 8.0.1
Input Device:	Manual	Date:	7/17/2019 2:35:23 PM
Sheath Pressure:	70.00		
Nozzle Size:	70		
Window Extension:	2.00		

Blue Laser  
(488nm)  
FSC

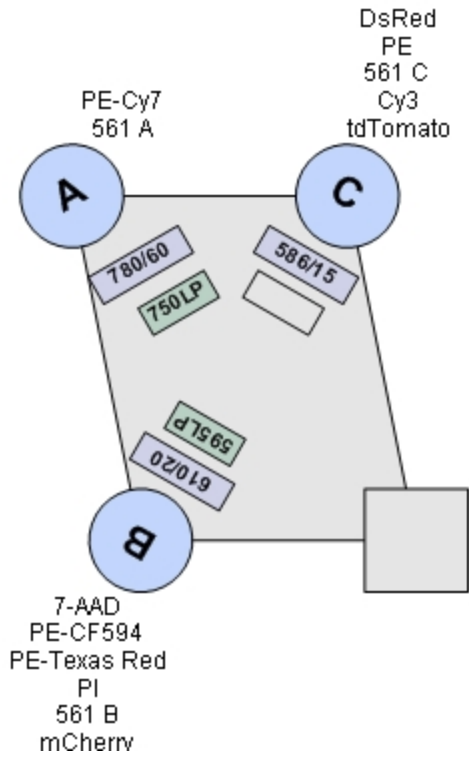




Violet Laser  
(405nm)



Yellow Green Laser  
(561nm)



Comments: