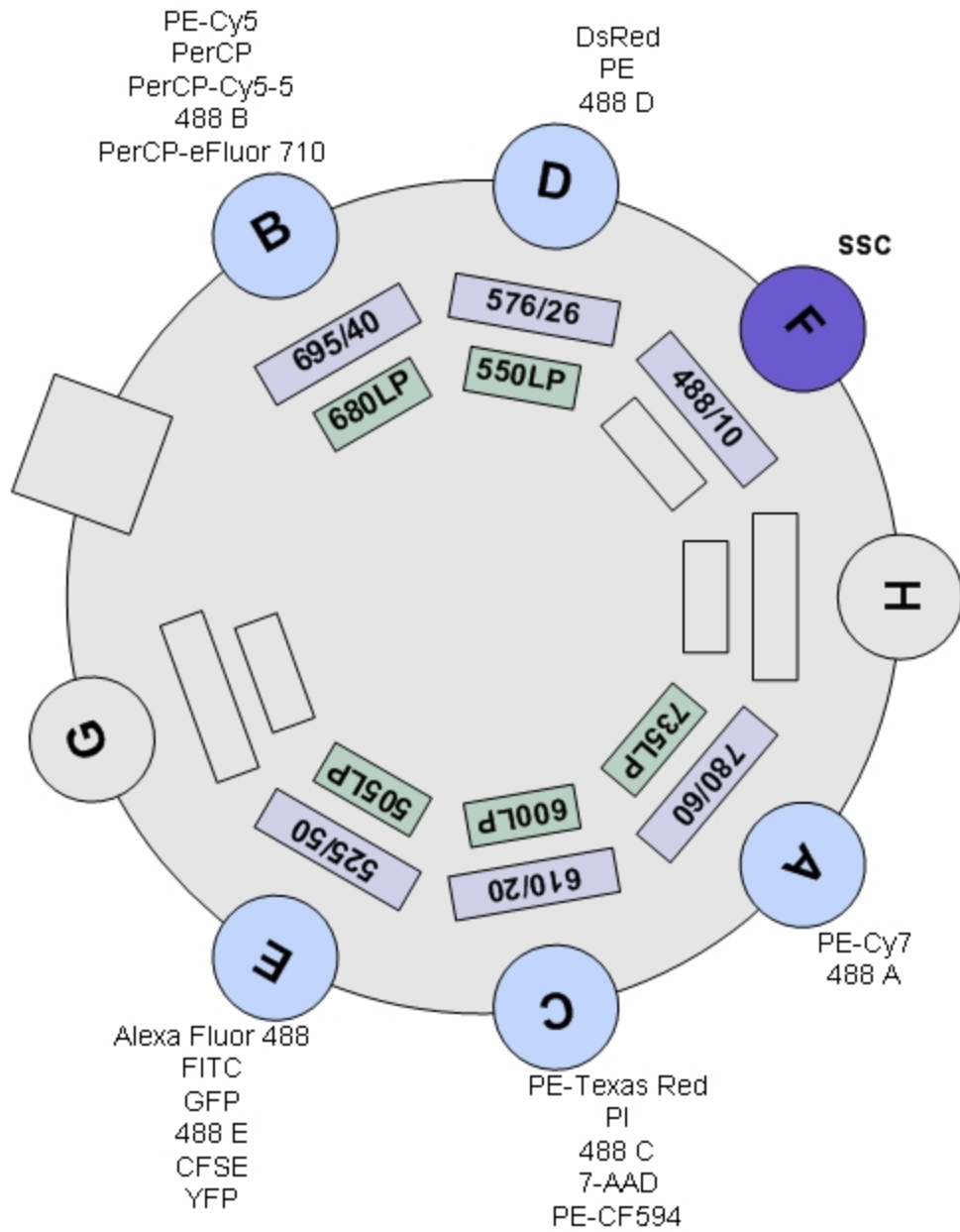
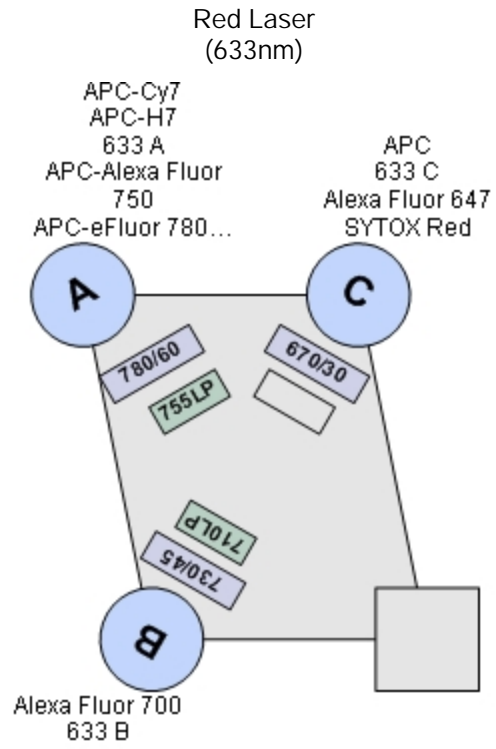


LSRII H4760 Standard Configuration

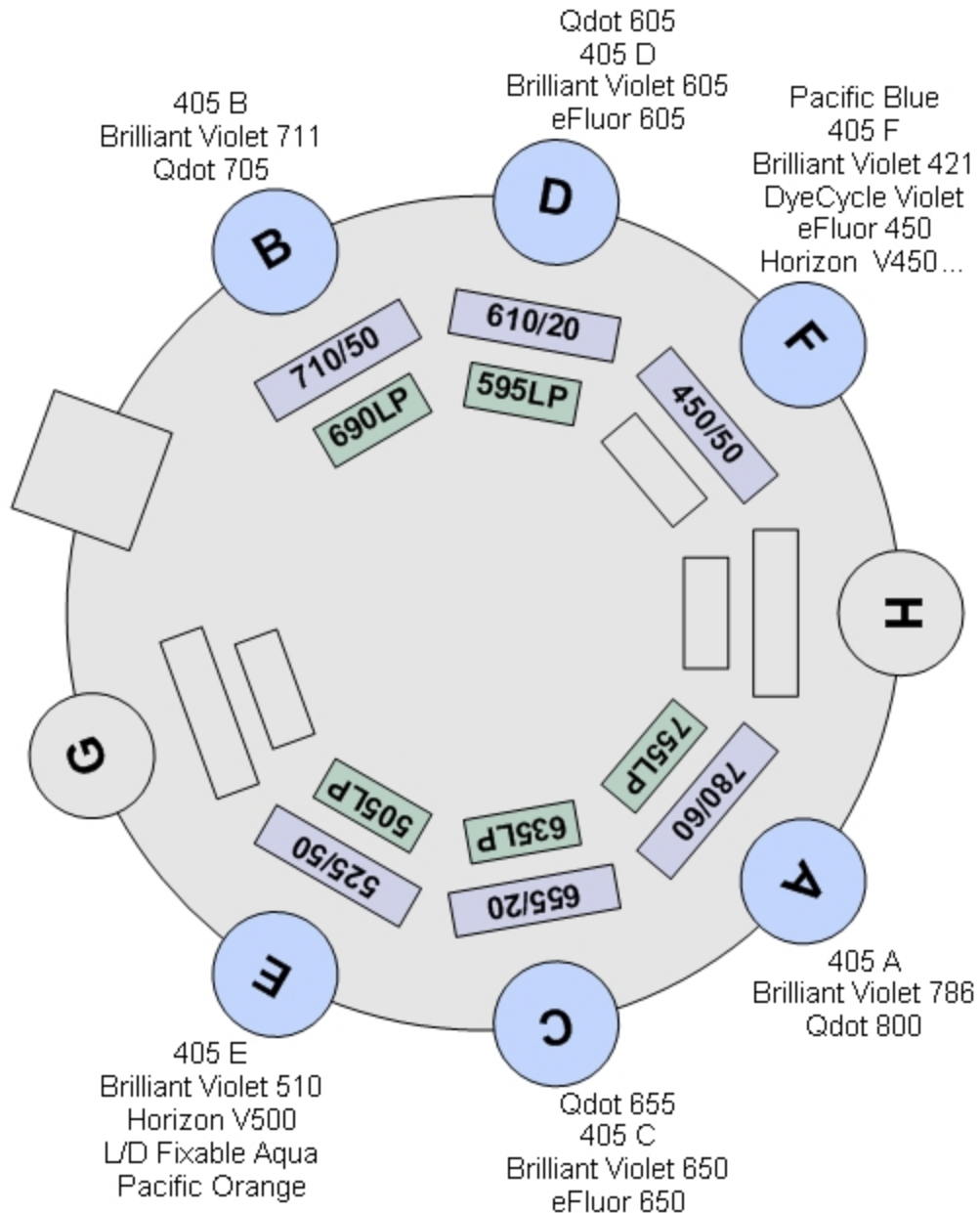
Cytometer:	LSRII	User:	corestaff
Cytometer Name:	LSRII	Institution:	N/A
Serial Number:	H4760	Software:	BD FACSDiva 8.0
Input Device:	Manual	Date:	7/17/2014 9:18:50 AM
Window Extension:	10.00		

Blue Laser
(488nm)
FSC





Violet Laser
(407nm)



Comments: