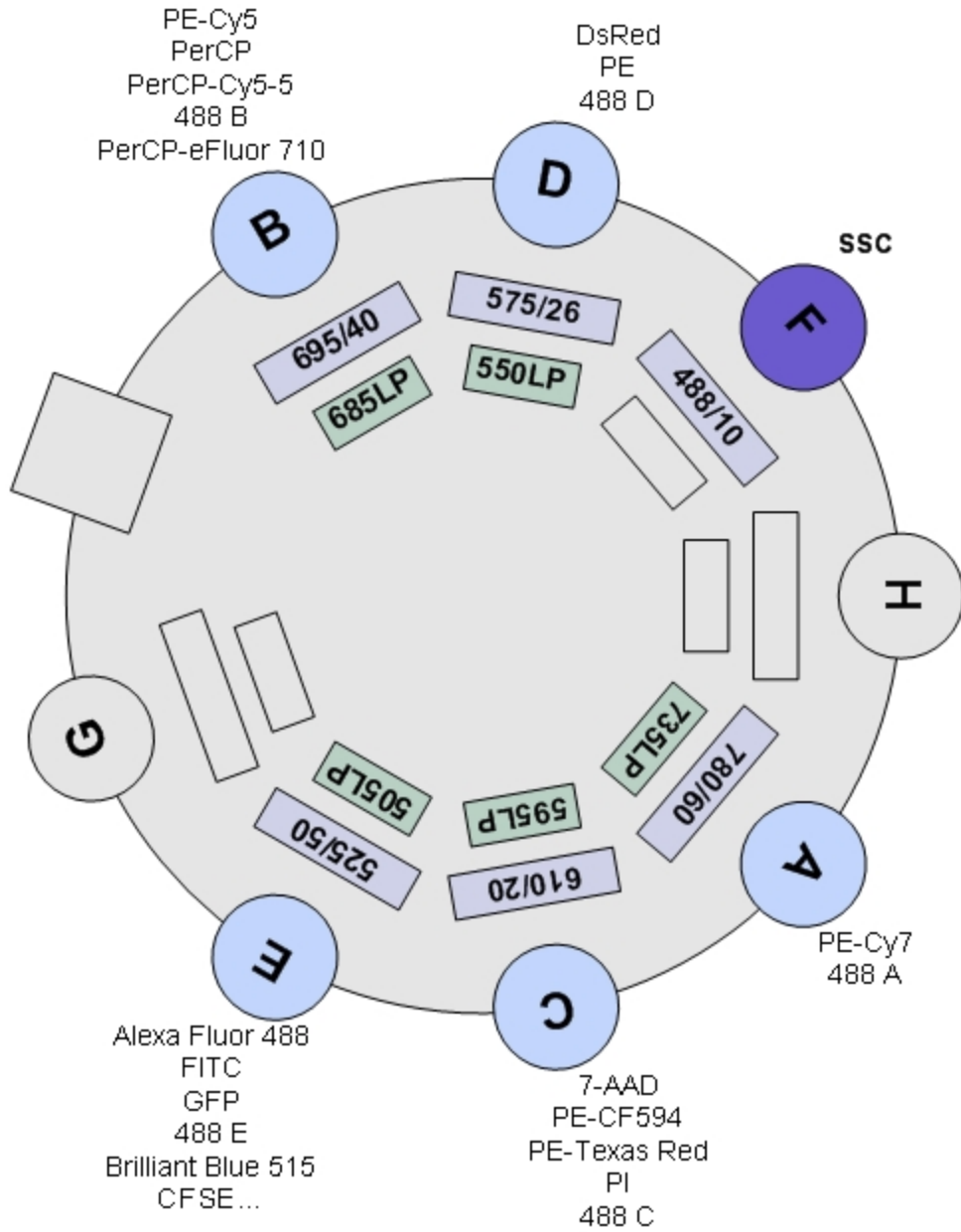
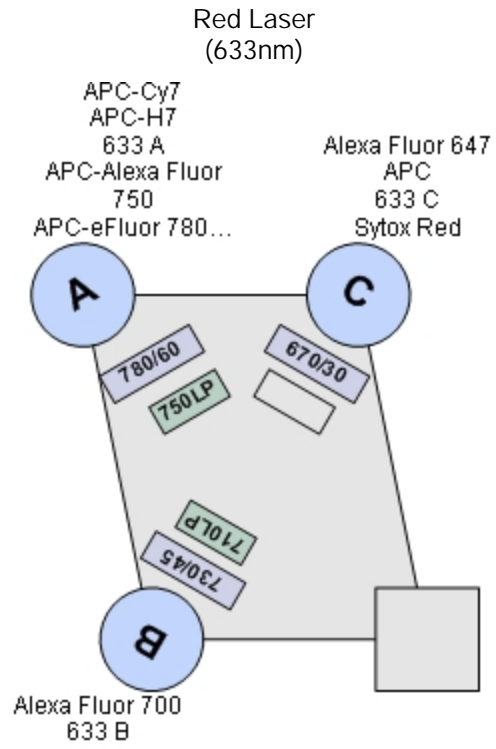


LSR II H1160 Customer Configuration

Cytometer:	LSRII	User:	corestaff
Cytometer Name:	LSRII	Institution:	N/A
Serial Number:	1	Software:	BD FACSDiva 8.0
Input Device:	Manual	Date:	2/23/2015 1:32:27 PM
Window Extension:	10.00		

Blue Laser
(488nm)
FSC





Comments: