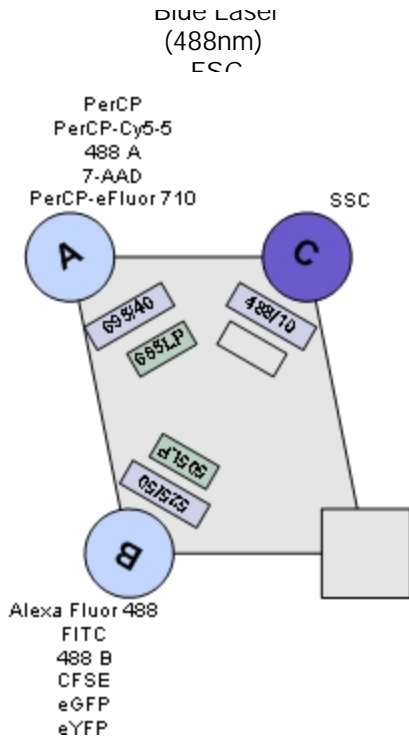
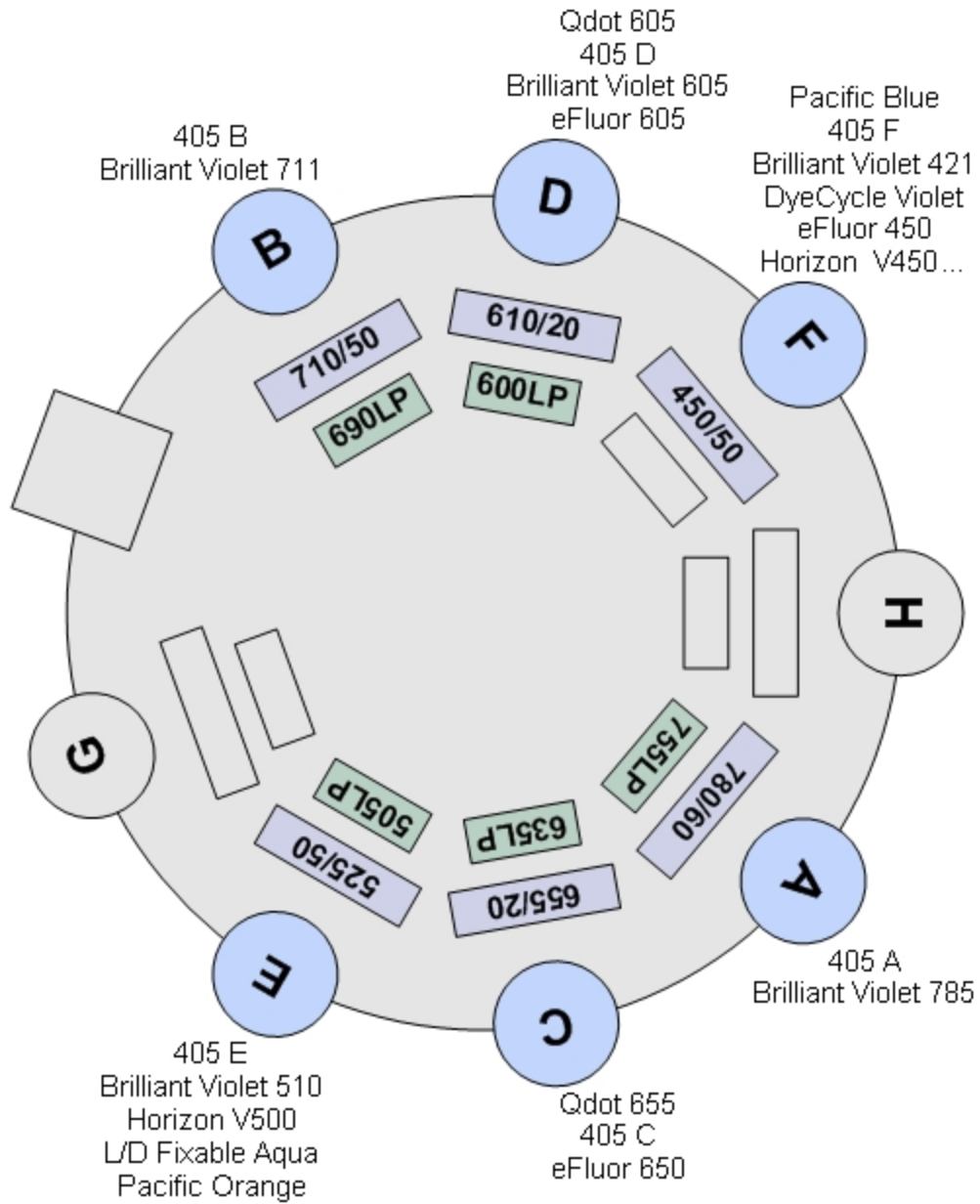


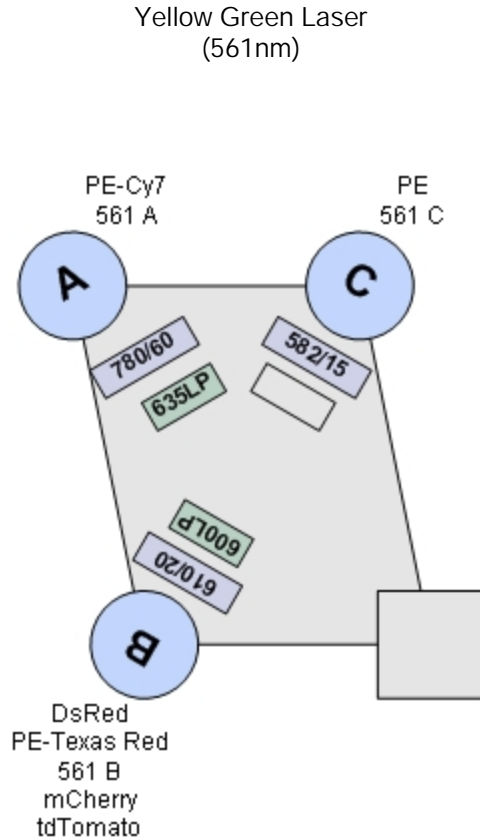
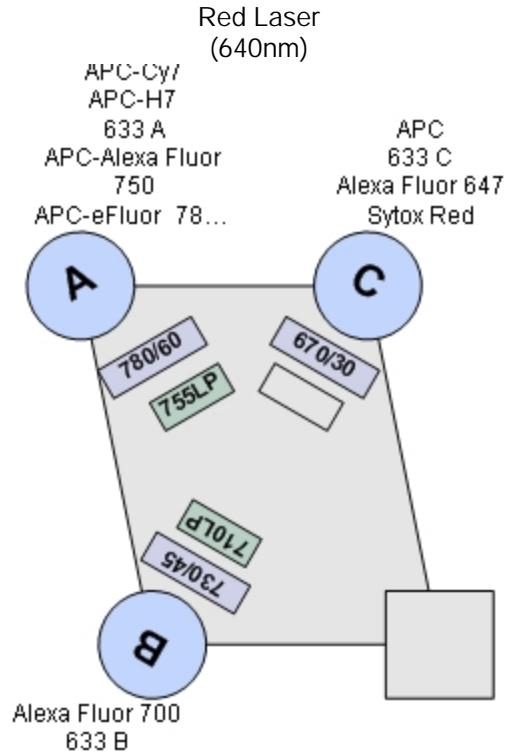
H1010 Standard Configuration

| | | | |
|-------------------|----------|--------------|----------------------|
| Cytometer: | LSRII | User: | corestaff |
| Cytometer Name: | LSRII | Institution: | |
| Serial Number: | 10100002 | Software: | BD FACSDiva 6.2 |
| Input Device: | Manual | Date: | 8/13/2013 1:30:43 PM |
| Window Extension: | 10.00 | | |



Violet Laser
(405nm)





Comments: